

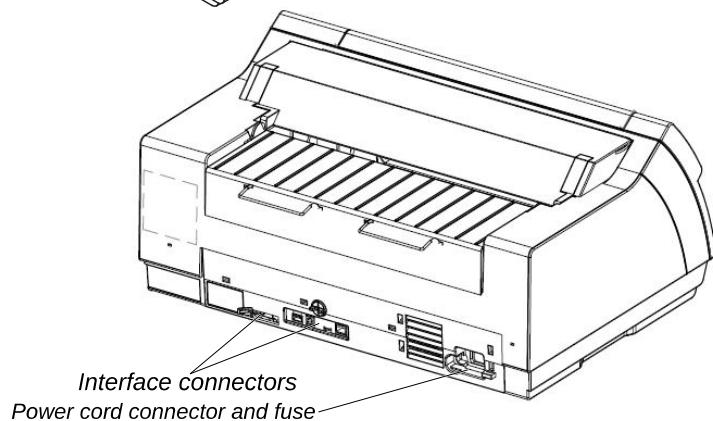
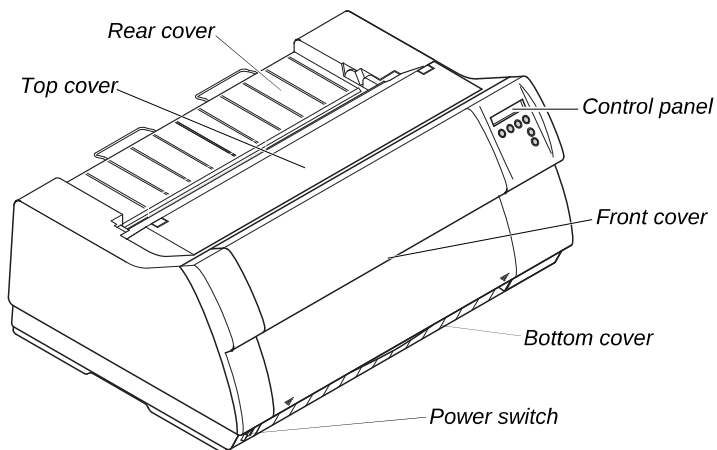
4347 -i09/-i11

Tally
DASCOM

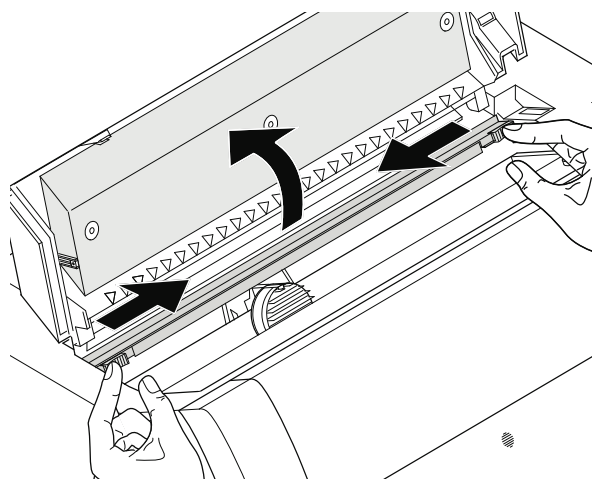
Quick Start Guide

This guide provides information on the daily use of the printer. For additional information, please refer to the User Guide on CD-Rom, delivered with the printer.

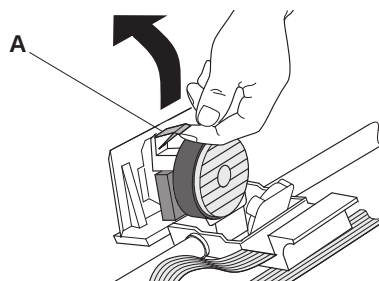
Printer at a glance



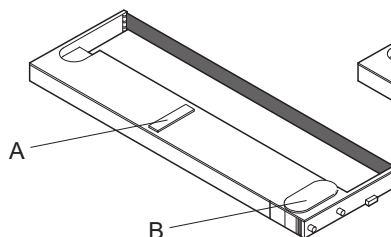
Inserting ribbon cassette



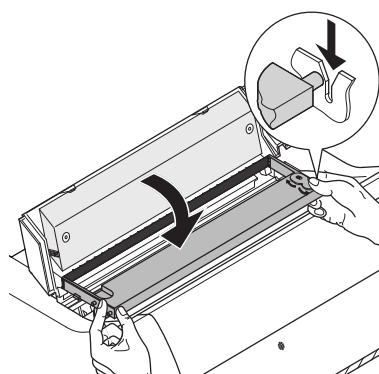
Switch on the printer. Open top cover. Move green friction tabs to the left and right and raise friction mechanism.



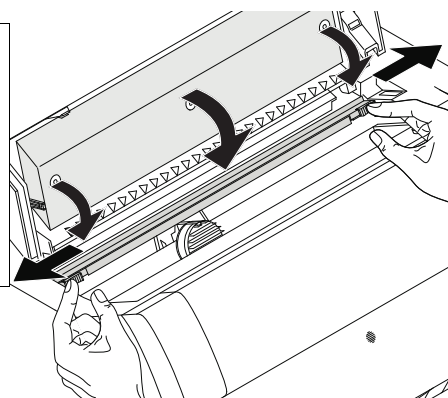
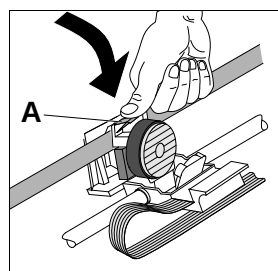
Raise green insertion tongue **A**.



Remove green protections **A** and **B**. Insert green ribbon tension knob and tense ribbon by turning knob in the direction of the arrow.

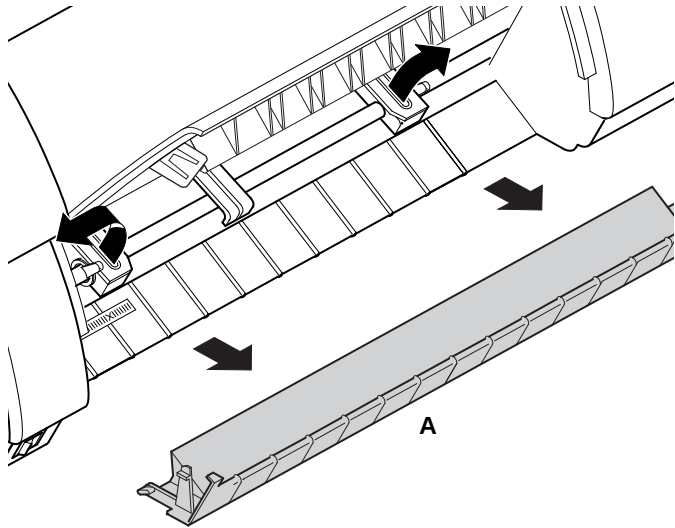


Slightly tilt ribbon cassette forwards and thread in ribbon between green insertion tongue and ribbon support (transparent plastic plate). Align and insert cassette into guides on the left and right. Press down until it clicks into place.

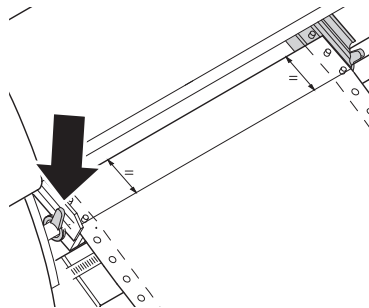


Press down green insertion tongue **A**. Move print head carriage back or forth and the ribbon motor will start to thread and tense the ribbon automatically. Press friction mechanism down until it clicks into place. Close top cover.

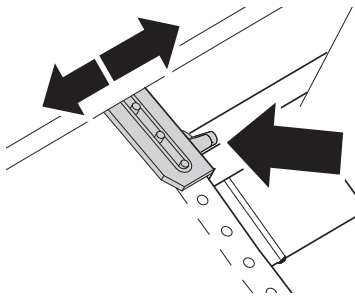
Loading paper



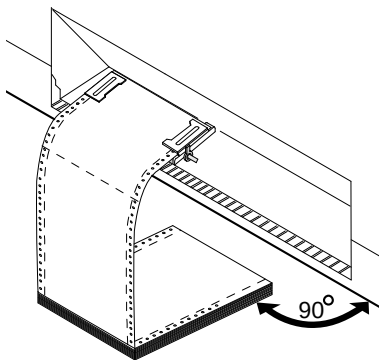
Raise front cover. Remove bottom cover **A**. Open the right and left tractor flaps.



Open green latch lever. Align tractor so that first printing position on paper matches the **X** mark on printer housing. Lock lever. Place fanfold paper into left-hand tractor.



Open latch lever of right-hand tractor. Align it to paper width. Insert fanfold paper into tractor. Make sure it is inserted by the same length as on left-hand tractor to avoid paper jam. Close flap and lock by turning lever to the rear.

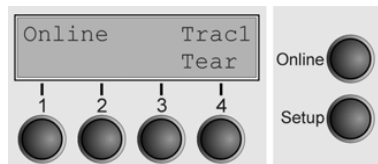


Make sure to align paper stack parallel with the printer and that paper flow is unobstructed. Lower front cover.

Control panel

The control panel keys are used for controlling your work with the printer. Key functions depend on printer's current mode.

Online mode

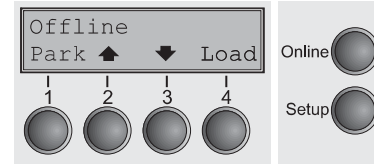


After switching on, the printer is automatically set to online mode and can receive data from computer.

4 Tear: Activates tear function if fanfold paper is loaded. If **Load** is displayed, no paper is loaded or paper is in park

position. In this case display switches between **Online** and **Load paper from Trac1**. Press key to feed paper to printing position. | **Online:** Sets printer to offline mode. Paper will be transported to printing position. By pressing Online again, it transports paper in tear position.

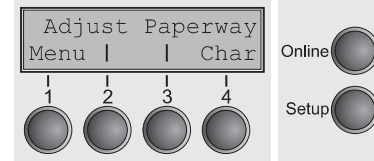
Offline mode



Only in this mode you can perform step, line, or form feeds; however, data cannot be received.

1 Park: Clears paper path with paper loaded, if not so activates paper path quick selection. | **2 Short keypress:** Microstep forward. Long keypress: Continuous paper feed. | **3 Short keypress:** Microstep reverse. Long keypress: Continuous paper reverse feed back to the park position. | **4 Load:** Loads paper from the selected paper source; display changes to LF/FF. Short keypress: Line Feed; long keypress: Form Feed. **Online:** Sets printer to online mode.

Setup mode



Setup: Sets printer to setup mode, in which the following settings can be selected:

1 Menu: Other menu settings. | **2 Adjust:** Sets Tear position, first printing line and print head gap. | **3 Paperway:** Sets Paper path. | **4 Char:** Sets font and number of characters per inch.

Access to menu settings may be disabled by manufacturer. To release this lock temporarily: Hold depressed **Setup** or **1 Menu** for 5 seconds. Or: Switch off printer for 5 seconds. Switch printer on keeping **Setup** pressed.

Status page

The status page contains all selected menu settings, the installed firmware and the character generators.

Make sure that blank paper is inserted in the valid paper source (default: Tractor 1). Keep **4** depressed for approx. 5 seconds while turning on printer. After the initialization printout starts automatically.

WebPanel

WebPanel is an intuitive browser interface that allows to remotely manage your network attached printer. From WebPanel, you can do virtually everything you can do from the printer's control panel.

For information on how to use WebPanel, see the User Guide on CD-Rom.

Dascom Representatives

Americas	Dascom Americas LLC	34 Lakeview Court	Verona, VA 24482, USA	+1(877)4341377
UK	DASCOM GB Ltd	Hart House, Priestley Road	Basingstoke, Hampshire, RG24 9PU	+44(0)1256 355130
Germany	DASCOM Europe GmbH	Heuweg 3	D-89079 Ulm	+49(0)731 2075 0
France	DASCOM Europe GmbH	117 Avenue Victor Hugo	92100 Boulogne-Billancourt	+33(1)73 02 51 98
Singapore	DASCOM AP Pte Ltd	2 Jurong East Street 21	#05-42, IMM Building, Singapore 609601	+65 6760 8833